

Doc. Number :

- Tentative Specification
- Preliminary Specification
- Approval Specification

**MODEL NO.: M185BGE**  
**SUFFIX: L22**

<b>Customer:</b>	
<b>APPROVED BY</b>	<b>SIGNATURE</b>
<u>Name / Title</u> _____	_____
Note	
_____	
Please return 1 copy for your confirmation with your signature and comments.	

Approved By	Checked By	Prepared By
		黃博彥

**CONTENTS**

<b>1. GENERAL DESCRIPTION .....</b>	<b>5</b>
1.1 OVERVIEW .....	5
1.2 GENERAL SPECIFICATIONS .....	5
<b>2. MECHANICAL SPECIFICATIONS .....</b>	<b>5</b>
<b>3. ABSOLUTE MAXIMUM RATINGS .....</b>	<b>6</b>
3.1 ABSOLUTE RATINGS OF ENVIRONMENT .....	6
3.2 ELECTRICAL ABSOLUTE RATINGS .....	6
3.2.1 TFT LCD MODULE .....	6
3.2.2 BACKLIGHT UNIT .....	7
<b>4. ELECTRICAL SPECIFICATIONS .....</b>	<b>7</b>
4.1 FUNCTION BLOCK DIAGRAM .....	7
4.2. INTERFACE CONNECTIONS .....	8
4.3 ELECTRICAL CHARACTERISTICS .....	10
4.3.1 LCD ELETRONICS SPECIFICATION .....	10
4.3.2 Vcc Power Dip Condition .....	12
4.3.3 BACKLIGHT UNIT .....	12
4.4.3 LIGHTBAR Connector Pin Assignment .....	13
4.4 LVDS INPUT SIGNAL SPECIFICATIONS .....	13
4.4.1 LVDS DATA MAPPING TABLE .....	13
4.4.2 COLOR DATA INPUT ASSIGNMENT .....	14
4.5 DISPLAY TIMING SPECIFICATIONS .....	15
4.6 POWER ON/OFF SEQUENCE .....	17
<b>5. OPTICAL CHARACTERISTICS .....</b>	<b>18</b>
5.1 TEST CONDITIONS .....	18
5.2 OPTICAL SPECIFICATIONS .....	18
<b>6. RELIABILITY TEST ITEM .....</b>	<b>21</b>
<b>7. PACKING .....</b>	<b>22</b>
7.1 PACKING SPECIFICATIONS .....	22
7.2 PACKING METHOD .....	22
7.3 PALLET .....	23
<b>8. CMI MODULE LABEL .....</b>	<b>24</b>
<b>9. PRECAUTIONS .....</b>	<b>25</b>
9.1 ASSEMBLY AND HANDLING PRECAUTIONS .....	25
9.2 STORAGE PRECAUTIONS .....	25
9.3 OPERATION PRECAUTIONS .....	25

9.4 SAFETY PRECAUTIONS .....	26
9.5 SAFETY STANDARDS .....	26
9.6 OTHER .....	26
<b>Appendix. OUTLINE DRAWING .....</b>	<b>26</b>



## 1. GENERAL DESCRIPTION

### 1.1 OVERVIEW

M185BGE-L22 is a 18.5" TFT Liquid Crystal Display module with WLED Backlight unit and 30 pins 1ch-LVDS interface. This module supports 1366 x 768 HD mode and can display up to 16.7M colors. The converter module for Backlight is not built in.

### 1.2 GENERAL SPECIFICATIONS

Item	Specification	Unit	Note
Screen Size	18.51" real diagonal	-	-
Driver Element	a-si TFT active matrix	-	-
Pixel Number	1366 x R.G.B. x 768	pixel	-
Pixel Pitch	0.3 (H) x 0.3 (V)	mm	-
Pixel Arrangement	RGB vertical stripe	-	-
Display Colors	16.7M	color	-
Transmissive Mode	Normally white	-	-
Surface Treatment	AG type, 3H hard coating, Haze 25%	-	-
Luminance, White	250 (Typ.)	Cd/m2	-
Color Gamut	72% of NTSC(Typ.)	-	-
TCO	TCO 5.0 compliance	-	-
Power Consumption	Total 10.916W (Max.) @ cell 3.3 W (Max.), BL 7.616W (Max.)		(1)

Note (1) The specified power consumption : Total= cell (reference 4.3.1)+BL (reference 4.3.3)

## 2. MECHANICAL SPECIFICATIONS

Item	Min.	Typ.	Max.	Unit	Note	
Module Size	Horizontal (H)	429.87	430.37	430.87	mm	(1)
	Vertical (V)	254.1	254.6	255.1	mm	
	Thickness (T)	-	10.5	11	mm	
Bezel Area	Horizontal	413.2	413.4	413.6	mm	-
	Vertical	239.8	234	234.2	mm	-
Active Area	Horizontal	-	409.8	-	mm	-
	Vertical	-	230.4	-	mm	-
Weight	-	1600	1800	g	-	

Note (1) Please refer to the attached drawings for more information of front and back outline dimensions.

### 3. ABSOLUTE MAXIMUM RATINGS

#### 3.1 ABSOLUTE RATINGS OF ENVIRONMENT

Item	Symbol	Value		Unit	Note
		Min.	Max.		
Storage Temperature	TST	-20	60	°C	(1)
Operating Ambient Temperature	TOP	0	50	°C	(1), (2)

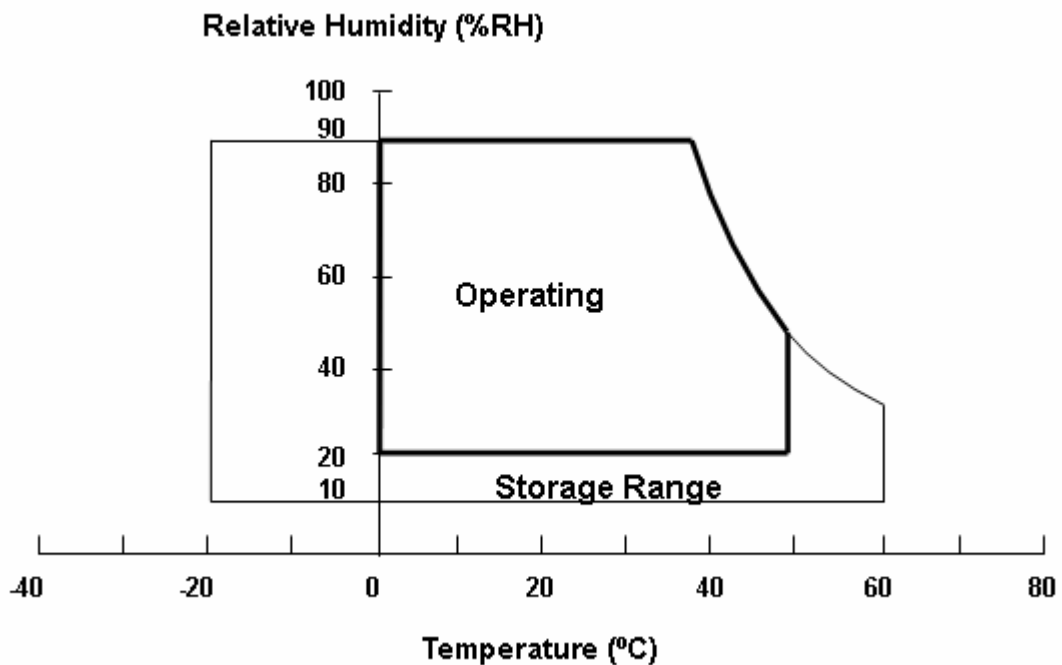
Note (1)

(a) 90 %RH Max. ( $T_a \leq 40$  °C).

(b) Wet-bulb temperature should be 39 °C Max. ( $T_a > 40$  °C).

(c) No condensation.

Note (2) The temperature of panel surface should be 0 °C min. and 60 °C max.



### 3.2 ELECTRICAL ABSOLUTE RATINGS

#### 3.2.1 TFT LCD MODULE

Item	Symbol	Value		Unit	Note
		Min.	Max.		
Power Supply Voltage	VCCS	-0.3	6.0	V	(1)
Logic Input Voltage	V <sub>IN</sub>	-0.3	3.6	V	

### 3.2.2 BACKLIGHT UNIT

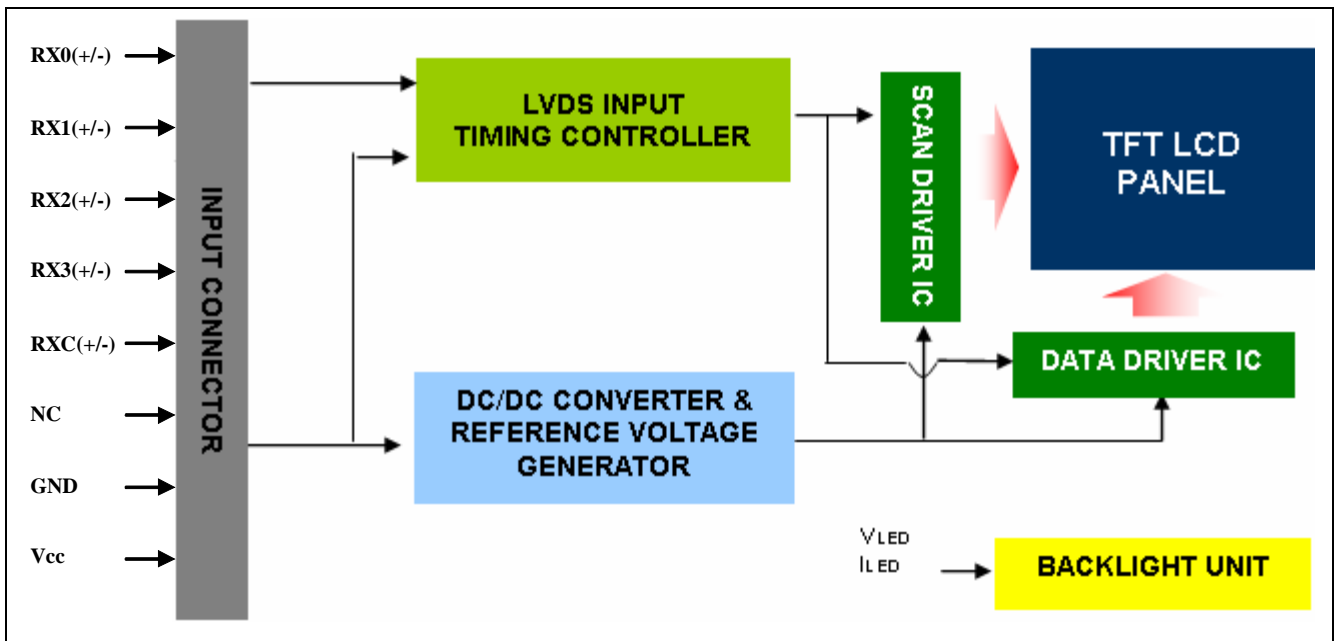
Item	Symbol	Value			Unit	Note
		Min.	Typ	Max.		
LED Forward Current Per Input Pin	$I_F$	0	60	70	mA	(1), (2) Duty=100%
LED Reverse Voltage Per Input Pin	$V_R$	-	-	40	V	
LED Pulse Forward Current Per Input Pin	$I_P$	-	-	150	mA	(1), (2) Pulse Width $\leq$ 10msec. and Duty $\leq$ 10%

Note (1) Permanent damage to the device may occur if maximum values are exceeded. Function operation should be restricted to the conditions described under Normal Operating Conditions.

Note (2) Specified values are for input pin of LED light bar at  $T_a=25\pm 2$  °C (Refer to 4.3.3 and 4.3.4 for further information).

## 4. ELECTRICAL SPECIFICATIONS

### 4.1 FUNCTION BLOCK DIAGRAM



## 4.2. INTERFACE CONNECTIONS

### PIN ASSIGNMENT

Pin	Name	Description
1	NC	Not connection, this pin should be open
2	NC	Not connection, this pin should be open
3	NC	Not connection, this pin should be open
4	GND	Ground
5	RX0-	Negative LVDS differential data input. Channel 0 (odd)
6	RX0+	Positive LVDS differential data input. Channel 0 (odd)
7	GND	Ground
8	RX1-	Negative LVDS differential data input. Channel 1 (odd)
9	RX1+	Positive LVDS differential data input. Channel 1 (odd)
10	GND	Ground
11	RX2-	Negative LVDS differential data input. Channel 2 (odd)
12	RX2+	Positive LVDS differential data input. Channel 2 (odd)
13	GND	Ground
14	RXCLK-	Negative LVDS differential clock input. (odd)
15	RXCLK+	Positive LVDS differential clock input. (odd)
16	GND	Ground
17	RX3-	Negative LVDS differential data input. Channel 3 (odd)
18	RX3+	Positive LVDS differential data input. Channel 3 (odd)
19	GND	Ground
20	NC	For LCD internal use only, Do not connect
21	NC	For LCD internal use only, Do not connect
22	NC	For LCD internal use only, Do not connect
23	GND	Ground
24	GND	Ground
25	GND	Ground
26	Vcc	+5.0V power supply
27	Vcc	+5.0V power supply
28	Vcc	+5.0V power supply
29	Vcc	+5.0V power supply
30	Vcc	+5.0V power supply

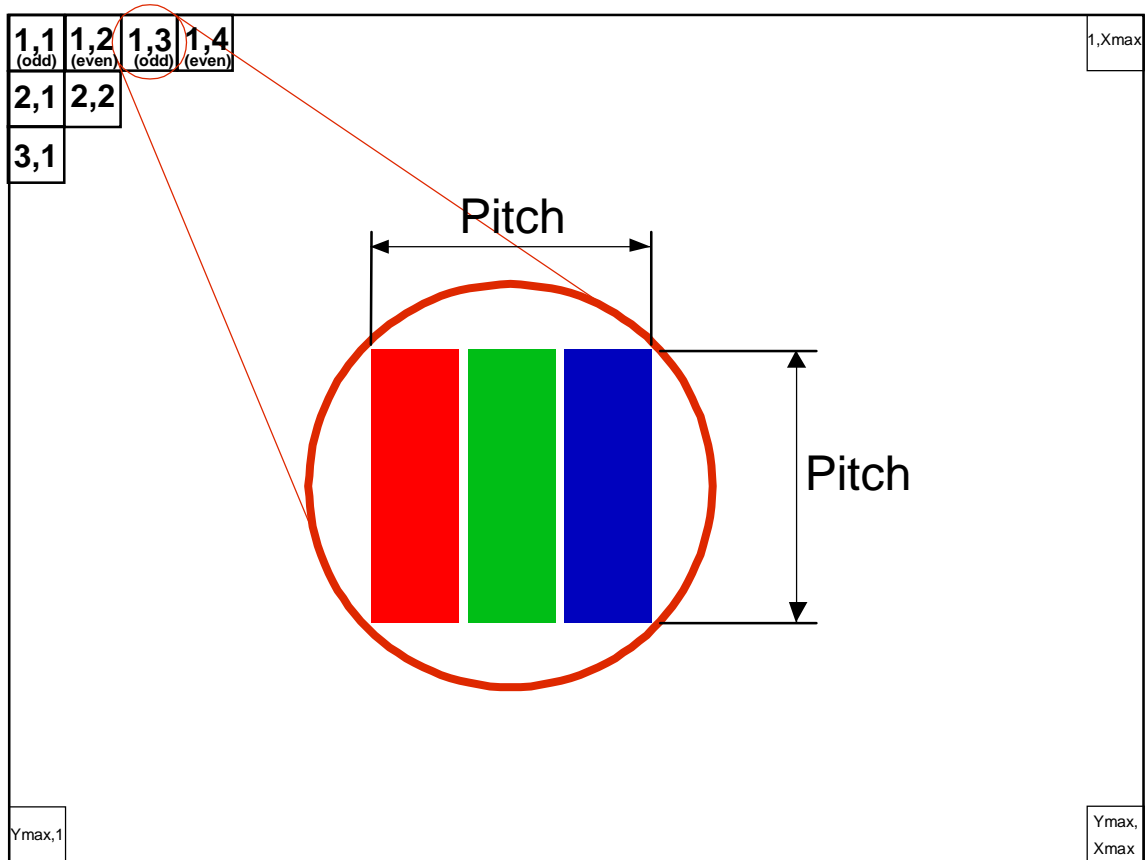
Note (1) Connector Part No.:

GS23302-0011R-7F (FOXCONN) or equivalent

Note (2) The first pixel is odd.

Note (3) Input signal of even and odd clock should be the same timing.





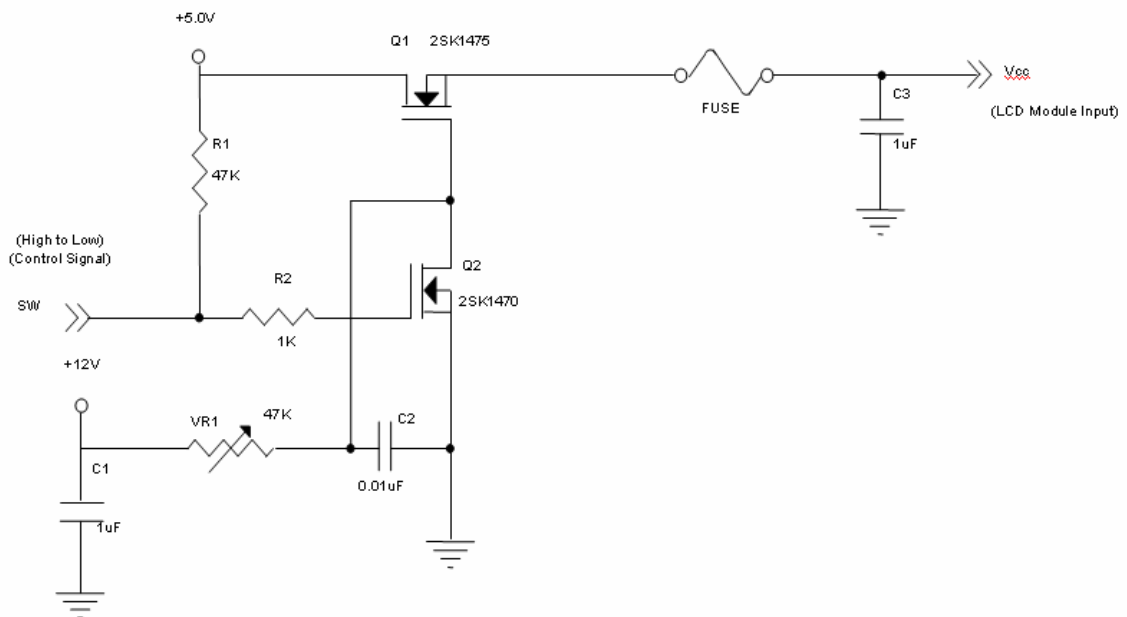
### 4.3 ELECTRICAL CHARACTERISTICS

#### 4.3.1 LCD ELETRONICS SPECIFICATION

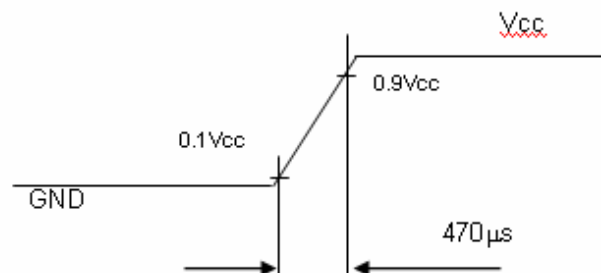
Parameter	Symbol	Value			Unit	Note
		Min.	Typ.	Max.		
Power Supply Voltage	V <sub>CC</sub>	4.5	5	5.5	V	-
Ripple Voltage	V <sub>RP</sub>	-	-	300	mV	-
Rush Current	I <sub>RUSH</sub>	-	1.5	2.0	A	(2)
Power Supply Current	White	-	0.3	0.4	A	(3)a
	Black	-	0.5	0.6	A	(3)b
	Vertical Stripe	-	0.5	0.6	A	(3)c
Power Consumption	PLCD	-	2.5	3.3	Watt	(4)
LVDS differential input voltage	V <sub>id</sub>	100	-	600	mV	-
LVDS common input voltage	V <sub>ic</sub>	1.0	1.2	1.4	V	-
Logic High Input Voltage	V <sub>IH</sub>	-	-	0.1	V	-
Logic Low Input Voltage	V <sub>IL</sub>	0.1	-	-	V	-

Note (1) The ambient temperature is Ta = 25 ± 2 °C.

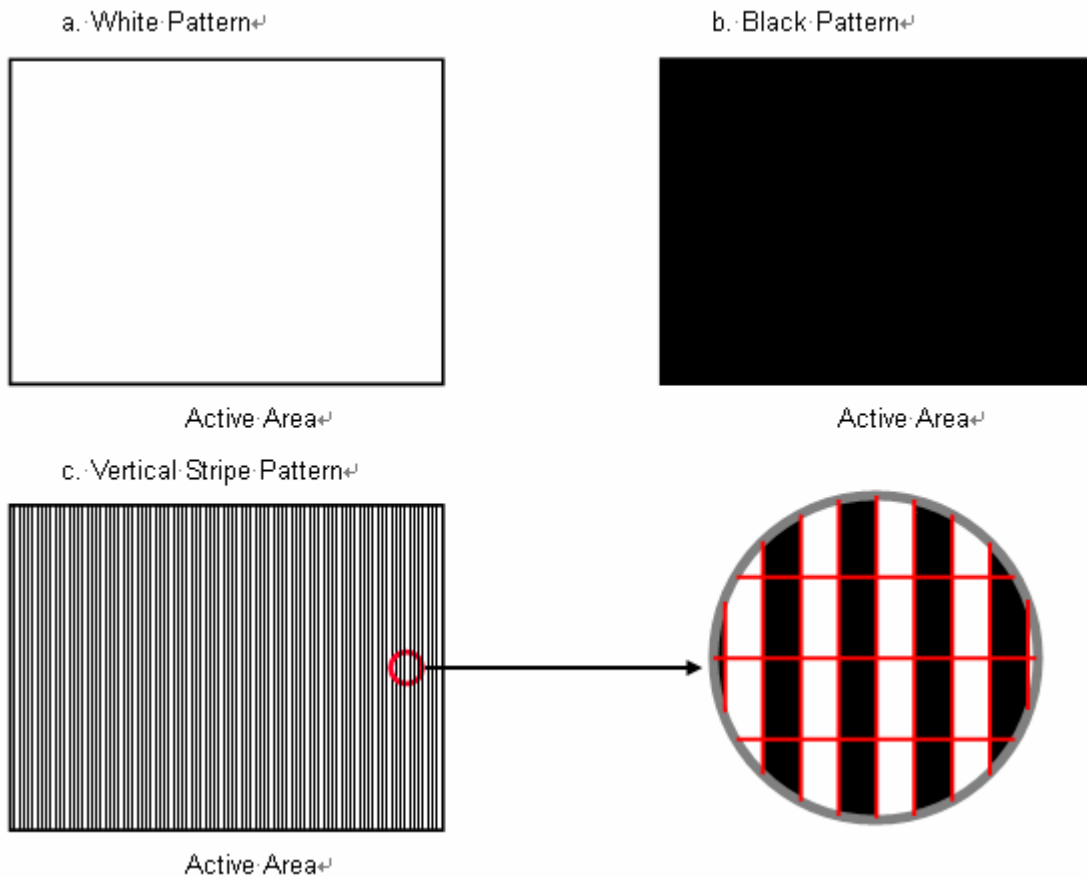
Note (2) Measurement Conditions:



**V<sub>CC</sub> rising time is 470μs**

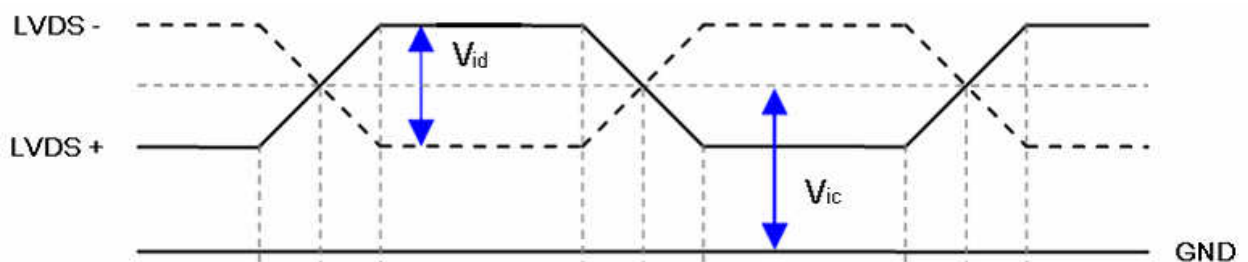


Note (3) The specified power supply current is under the conditions at  $V_{cc} = 5.0\text{ V}$ ,  $T_a = 25 \pm 2\text{ }^\circ\text{C}$ ,  $F_r = 60\text{ Hz}$ , whereas a power dissipation check pattern below is displayed.

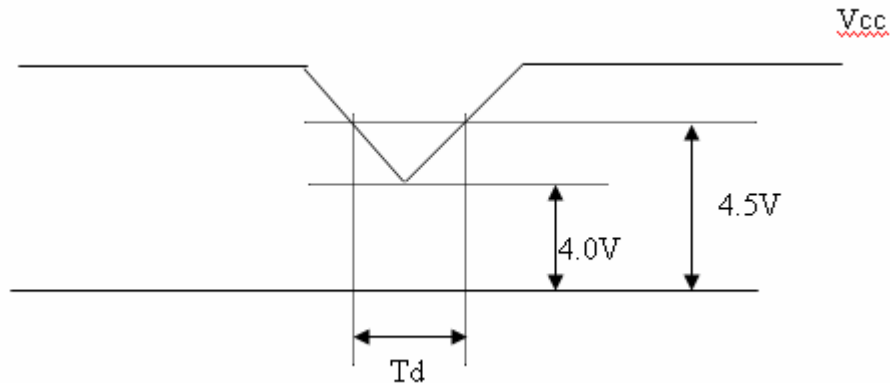


Note (4) The power consumption is specified at the pattern with the maximum current.

Note (5) VID waveform condition



### 4.3.2 Vcc Power Dip Condition



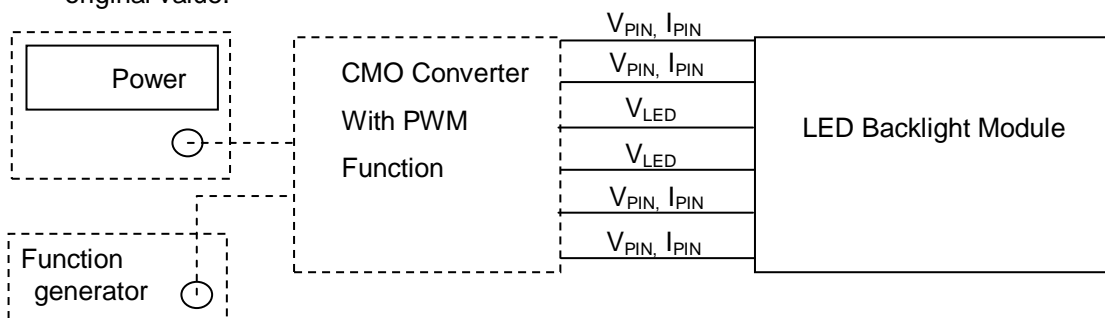
### 4.3.3 BACKLIGHT UNIT

Parameter	Symbol	Value			Unit	Note
		Min.	Typ.	Max.		
LED Light Bar Input Voltage Per Input Pin	VPIN	-	24.8	27.2	V	(1), Duty=100%, IPIN=60mA
LED Light Bar Current Per Input Pin	IPIN	-	60	70	mA	(1), (2) Duty=100%
LED Life Time	LLED	30000	-	-	Hrs	(3)
Power Consumption	PBL	-	5.952	7.616	W	(1) Duty=100%, IPIN=60mA

Note (1) LED light bar input voltage and current are measured by utilizing a true RMS multimeter as shown below:

Note (2)  $PBL = IPIN \times VPIN \times (4)$  input pins.

Note (3) The lifetime of LED is defined as the time when LED packages continue to operate under the conditions at  $T_a = 25 \pm 2 \text{ }^\circ\text{C}$  and  $I = (60)\text{mA}$  (per chip) until the brightness becomes  $\leq 50\%$  of its original value.

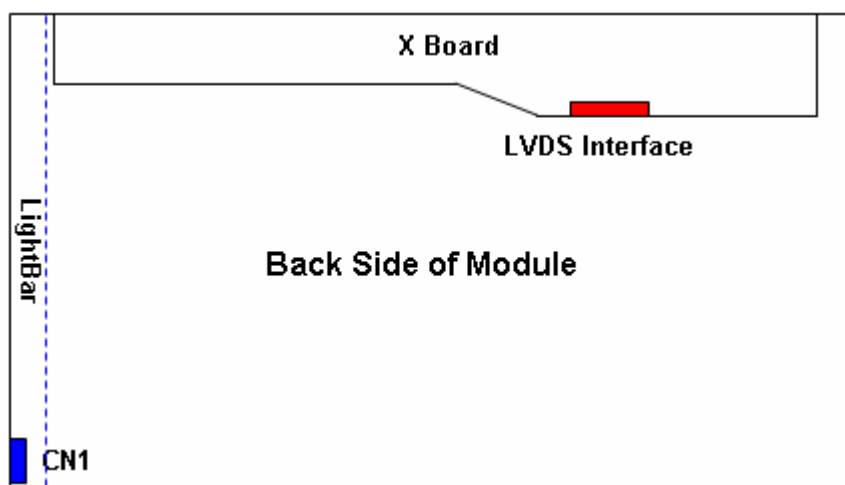


### 4.4.3 LIGHTBAR Connector Pin Assignment

Connector: CI1406M1HRF-HF(Cvilux) or Compatible.

CN1

Pin number	Description
1	Cathode of LED string1
2	Cathode of LED string2
3	VLED
4	VLED
5	Cathode of LED string3
6	Cathode of LED string4



## 4.4 LVDS INPUT SIGNAL SPECIFICATIONS

### 4.4.1 LVDS DATA MAPPING TABLE

LVDS Channel O0	LVDS output	D7	D6	D4	D3	D2	D1	D0
	Data order	OG0	OR5	OR4	OR3	OR2	OR1	OR0
LVDS Channel O1	LVDS output	D18	D15	D14	D13	D12	D9	D8
	Data order	OB1	OB0	OG5	OG4	OG3	OG2	OG1
LVDS Channel O2	LVDS output	D26	D25	D24	D22	D21	D20	D19
	Data order	DE	NA	NA	OB5	OB4	OB3	OB2
LVDS Channel O3	LVDS output	D23	D17	D16	D11	D10	D5	D27
	Data order	NA	OB7	OB6	OG7	OG6	OR7	OR6

**4.4.2 COLOR DATA INPUT ASSIGNMENT**

The brightness of each primary color (red, green and blue) is based on the 8-bit gray scale data input for the color. The higher the binary input, the brighter the color. The table below provides the assignment of color versus data input.

Color		Data Signal																							
		Red								Green								Blue							
		R7	R6	R5	R4	R3	R2	R1	R0	G7	G6	G5	G4	G3	G2	G1	G0	B7	B6	B5	B4	B3	B2	B1	B0
Basic Colors	Black	0	0	0	0	0	0	0	0	0	0	0	0	0	0	0	0	0	0	0	0	0	0	0	0
	Red	1	1	1	1	1	1	1	1	0	0	0	0	0	0	0	0	0	0	0	0	0	0	0	0
	Green	0	0	0	0	0	0	0	0	1	1	1	1	1	1	1	1	0	0	0	0	0	0	0	0
	Blue	0	0	0	0	0	0	0	0	0	0	0	0	0	0	0	0	1	1	1	1	1	1	1	1
	Cyan	0	0	0	0	0	0	0	0	1	1	1	1	1	1	1	1	1	1	1	1	1	1	1	1
	Magenta	1	1	1	1	1	1	1	1	0	0	0	0	0	0	0	0	1	1	1	1	1	1	1	1
	Yellow	1	1	1	1	1	1	1	1	1	1	1	1	1	1	1	1	0	0	0	0	0	0	0	0
	White	1	1	1	1	1	1	1	1	1	1	1	1	1	1	1	1	1	1	1	1	1	1	1	1
Gray Scale Of Red	Red(0) / Dark	0	0	0	0	0	0	0	0	0	0	0	0	0	0	0	0	0	0	0	0	0	0	0	
	Red(1)	0	0	0	0	0	0	0	1	0	0	0	0	0	0	0	0	0	0	0	0	0	0	0	
	Red(2)	0	0	0	0	0	0	1	0	0	0	0	0	0	0	0	0	0	0	0	0	0	0	0	
	⋮	⋮	⋮	⋮	⋮	⋮	⋮	⋮	⋮	⋮	⋮	⋮	⋮	⋮	⋮	⋮	⋮	⋮	⋮	⋮	⋮	⋮	⋮	⋮	
	⋮	⋮	⋮	⋮	⋮	⋮	⋮	⋮	⋮	⋮	⋮	⋮	⋮	⋮	⋮	⋮	⋮	⋮	⋮	⋮	⋮	⋮	⋮	⋮	
	Red(253)	1	1	1	1	1	1	0	1	0	0	0	0	0	0	0	0	0	0	0	0	0	0	0	
	Red(254)	1	1	1	1	1	1	1	0	0	0	0	0	0	0	0	0	0	0	0	0	0	0	0	
	Red(255)	1	1	1	1	1	1	1	1	0	0	0	0	0	0	0	0	0	0	0	0	0	0	0	
Gray Scale Of Green	Green(0) / Dark	0	0	0	0	0	0	0	0	0	0	0	0	0	0	0	0	0	0	0	0	0	0	0	
	Green(1)	0	0	0	0	0	0	0	0	0	0	0	0	0	0	1	0	0	0	0	0	0	0	0	
	Green(2)	0	0	0	0	0	0	0	0	0	0	0	0	0	1	0	0	0	0	0	0	0	0	0	
	⋮	⋮	⋮	⋮	⋮	⋮	⋮	⋮	⋮	⋮	⋮	⋮	⋮	⋮	⋮	⋮	⋮	⋮	⋮	⋮	⋮	⋮	⋮		
	⋮	⋮	⋮	⋮	⋮	⋮	⋮	⋮	⋮	⋮	⋮	⋮	⋮	⋮	⋮	⋮	⋮	⋮	⋮	⋮	⋮	⋮	⋮		
	Green(253)	0	0	0	0	0	0	0	1	1	1	1	1	1	0	1	0	0	0	0	0	0	0	0	
	Green(254)	0	0	0	0	0	0	0	1	1	1	1	1	1	1	0	0	0	0	0	0	0	0	0	
	Green(255)	0	0	0	0	0	0	0	1	1	1	1	1	1	1	1	0	0	0	0	0	0	0	0	
Gray Scale Of Blue	Blue(0) / Dark	0	0	0	0	0	0	0	0	0	0	0	0	0	0	0	0	0	0	0	0	0	0	0	
	Blue(1)	0	0	0	0	0	0	0	0	0	0	0	0	0	0	0	0	0	0	0	0	0	0	1	
	Blue(2)	0	0	0	0	0	0	0	0	0	0	0	0	0	0	0	0	0	0	0	0	0	1	0	
	⋮	⋮	⋮	⋮	⋮	⋮	⋮	⋮	⋮	⋮	⋮	⋮	⋮	⋮	⋮	⋮	⋮	⋮	⋮	⋮	⋮	⋮	⋮		
	⋮	⋮	⋮	⋮	⋮	⋮	⋮	⋮	⋮	⋮	⋮	⋮	⋮	⋮	⋮	⋮	⋮	⋮	⋮	⋮	⋮	⋮	⋮		
	Blue(253)	0	0	0	0	0	0	0	0	0	0	0	0	0	0	1	1	1	1	1	1	1	0	1	
	Blue(254)	0	0	0	0	0	0	0	0	0	0	0	0	0	0	1	1	1	1	1	1	1	1	0	
	Blue(255)	0	0	0	0	0	0	0	0	0	0	0	0	0	0	1	1	1	1	1	1	1	1	1	

Note (1) 0: Low Level Voltage, 1: High Level Voltage

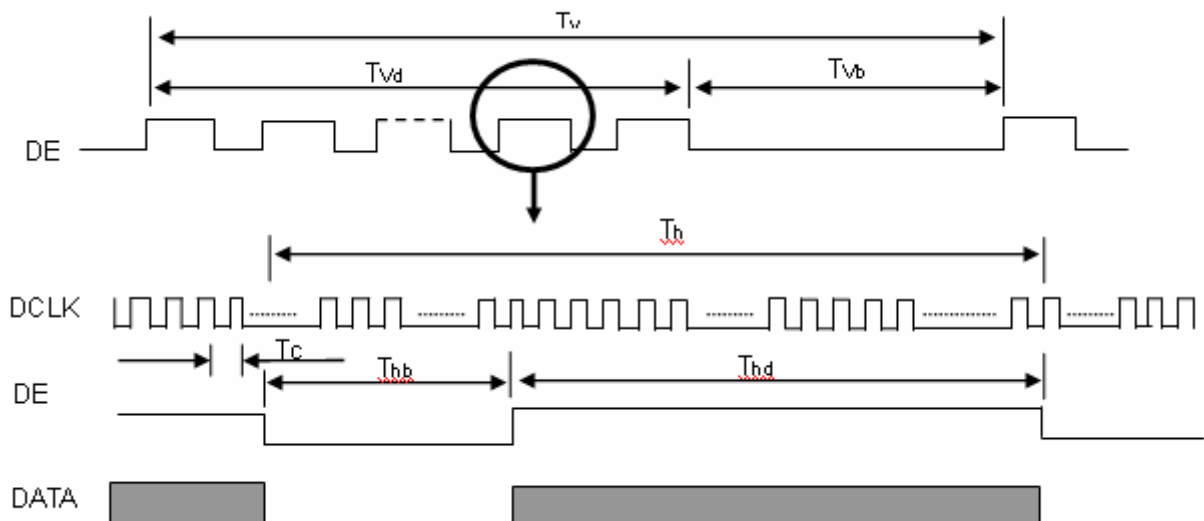
#### 4.5 DISPLAY TIMING SPECIFICATIONS

The input signal timing specifications are shown as the following table and timing diagram.

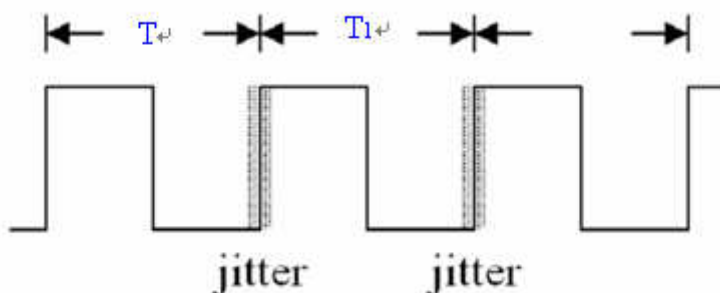
Signal	Item	Symbol	Min.	Typ.	Max.	Unit	Note
LVDS Clock	Frequency	Fc	62.9	75.4	95.6	MHz	-
	Period	Tc	10.5	13.2	15.9	ns	-
	Input cycle to cycle jitter	T <sub>rcj</sub>	-0.02*Tc	-	0.02*Tc	ns	(1)
	Input Clock to data skew	TLVCCS	-0.02*Tc	-	0.02*Tc	ns	(2)
	Spread spectrum modulation range	F <sub>ckin_mod</sub>	0.97*Fc	-	1.03*Fc	MHz	(3)
	Spread spectrum modulation frequency	F <sub>SSM</sub>	-	-	100	KHz	
Vertical Display Term	Frame Rate	Fr	50	60	76	Hz	Tv=Tvd+Tvb
	Total	Tv	780	806	900	Th	-
	Active Display	Tvd	-	768	-	Th	-
	Blank	Tvb	18	38	132	Th	-
Horizontal Display Term	Total	Th	1400	1560	1800	Tc	Th=Thd+Thb
	Active Display	Thd	-	1366	-	Tc	-
	Blank	Thb	40	194	434	Tc	-

Note: Because this module is operated by DE only mode, Hsync and Vsync input signals are ignored.

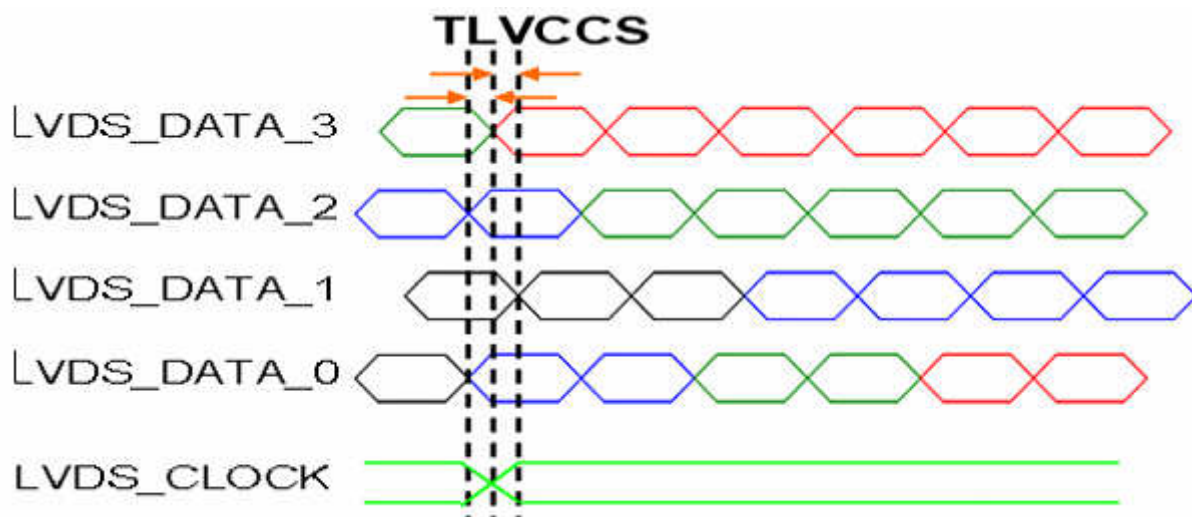
#### INPUT SIGNAL TIMING DIAGRAM



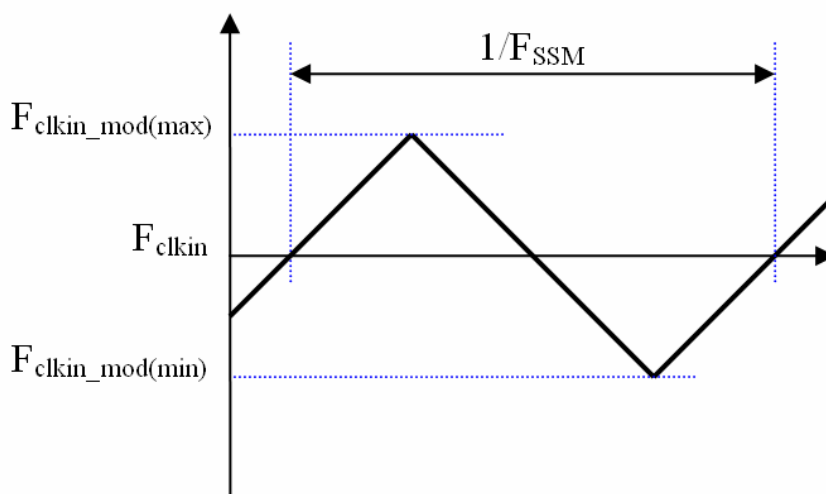
Note (1) The input clock cycle-to-cycle jitter is defined as below figures.  $Trcl = |T_1 - T_1'|$



Note (2) Input Clock to data skew is defined as below figures.



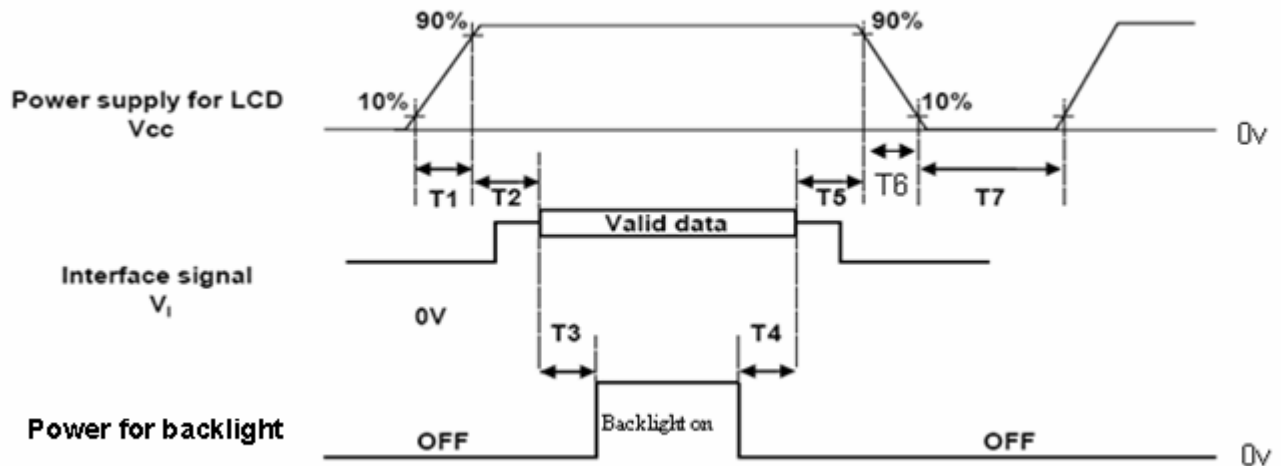
Note (3) The SSCG (Spread spectrum clock generator) is defined as below figures.





#### 4.6 POWER ON/OFF SEQUENCE

The power sequence specifications are shown as the following table and diagram.



Timing Specifications:

Parameters	Values			Units
	Min	Typ.	Max	
T1	0.1	-	10	ms
T2	0	30	50	ms
T3	200	250	-	ms
T4	100	250	-	ms
T5	0	20	50	ms
T6	0.1	-	50	ms
T7	1000	-	-	ms

Note (1) The supply voltage of the external system for the module input should be the same as the definition of Vcc.

Note (2) When the backlight turns on before the LCD operation of the LCD turns off, the display may momentarily become abnormal screen.

Note (3) In case of VCC = off level, please keep the level of input signals on the low or keep a high impedance.

Note (4) T4 should be measured after the module has been fully discharged between power off and on period.

Note (5) Interface signal shall not be kept at high impedance when the power is on.

Note (6) CMI won't take any responsibility for the products which are damaged by the customers not following the Power Sequence.

Note (7) There might be slight electronic noise when LCD is turned off (even backlight unit is also off). To avoid this symptom, we suggest "Vcc falling timing" to follow "t6 spec".

## 5. OPTICAL CHARACTERISTICS

### 5.1 TEST CONDITIONS

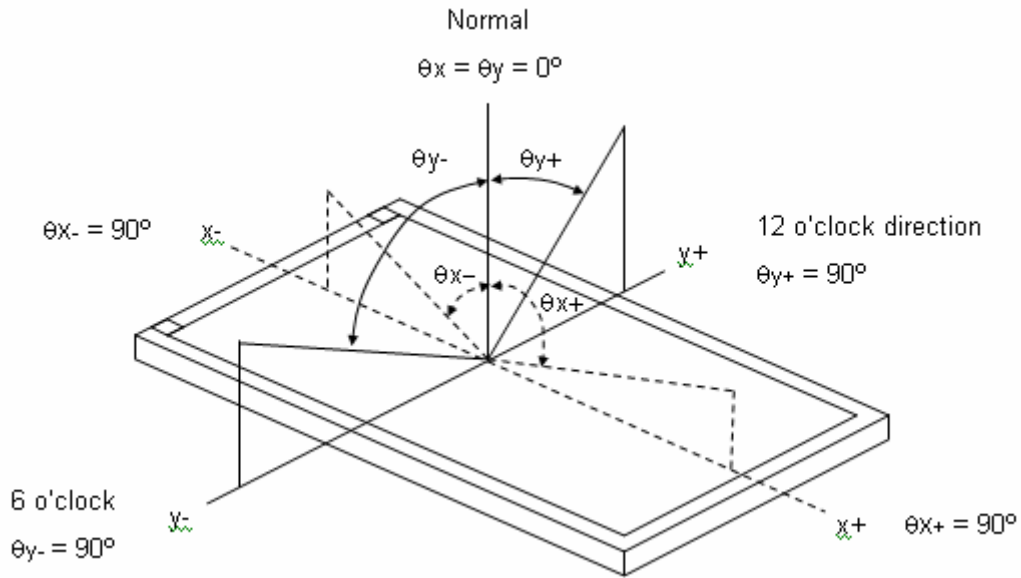
Item	Symbol	Value	Unit
Ambient Temperature	Ta	25±2	°C
Ambient Humidity	Ha	50±10	%RH
Supply Voltage	V <sub>CC</sub>	5	V
Input Signal	According to typical value in "3. ELECTRICAL CHARACTERISTICS"		
LED Light Bar Input Current Per Input Pin	I <sub>PIN</sub>	60 ± 1.8	mA <sub>DC</sub>
PWM Duty Ratio	D	100	%
LED Light Bar Test Converter	TEST01001 T2-A1		

### 5.2 OPTICAL SPECIFICATIONS

The relative measurement methods of optical characteristics are shown in 5.2. The following items should be measured under the test conditions described in 5.1 and stable environment shown in Note (5).

Item	Symbol	Condition	Min.	Typ.	Max.	Unit	Note	
Color Chromaticity (CIE 1931)	Red	Rx	θ <sub>x</sub> =0°, θ <sub>y</sub> =0° CS-2000 R=G=B=255 Gray scale	Typ - 0.03	0.641	Typ + 0.03	-	(1), (5)
		Ry			0.338			
	Green	Gx			0.315			
		Gy			0.629			
	Blue	Bx			0.159			
		By			0.059			
	White	Wx			0.313			
		Wy			0.329			
	Center Luminance of White (Center of Screen)	L <sub>c</sub>						
Contrast Ratio	CR		700	1000	-	-	(2), (5)	
Response Time	T <sub>R</sub>	θ <sub>x</sub> =0°, θ <sub>y</sub> =0°	-	1.5	2.5	ms	(3)	
	T <sub>F</sub>		-	3.5	5.5			
White Variation	W	x=0, y=0	75	-	-	%	(5), (6)	
Viewing Angle	Horizontal	θ <sub>x-</sub> + θ <sub>x+</sub>	CR ≥ 10	150	170	-	Deg.	(1), (5)
	Vertical	θ <sub>y-</sub> + θ <sub>y+</sub>		140	160			
Viewing Angle	Horizontal	θ <sub>x-</sub> + θ <sub>x+</sub>	CR ≥ 5	160	178	-	Deg.	(1), (5)
	Vertical	θ <sub>y-</sub> + θ <sub>y+</sub>		150	170			

Note (1) Definition of Viewing Angle ( $\theta_x, \theta_y$ ):



Note (2) Definition of Contrast Ratio (CR):

The contrast ratio can be calculated by the following expression.

$$\text{Contrast Ratio (CR)} = L_{255} / L_0$$

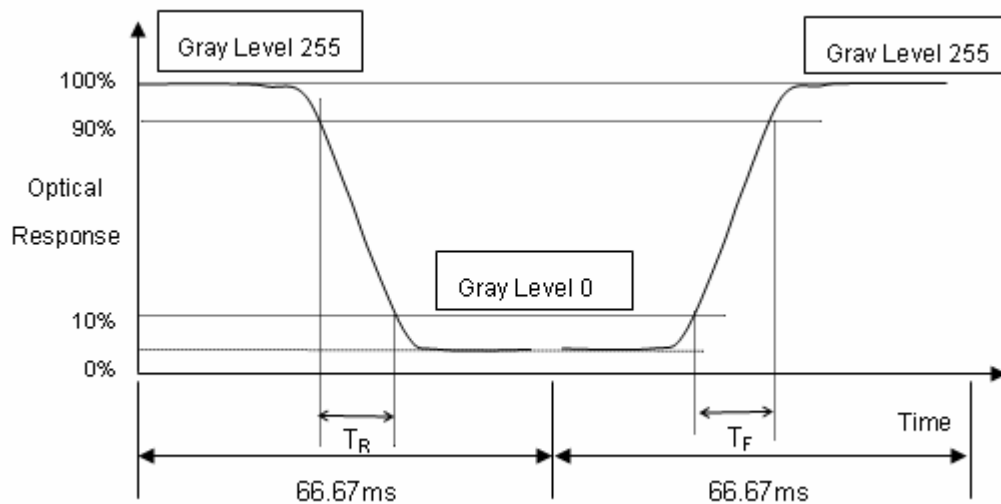
L<sub>255</sub>: Luminance of gray level 255

L<sub>0</sub>: Luminance of gray level 0

$$\text{CR} = \text{CR} (5)$$

CR (X) is corresponding to the Contrast Ratio of the point X at Figure in Note (6).

Note (3) Definition of Response Time ( $T_R, T_F$ ):



Note (4) Definition of Luminance of White ( $L_c$ ):

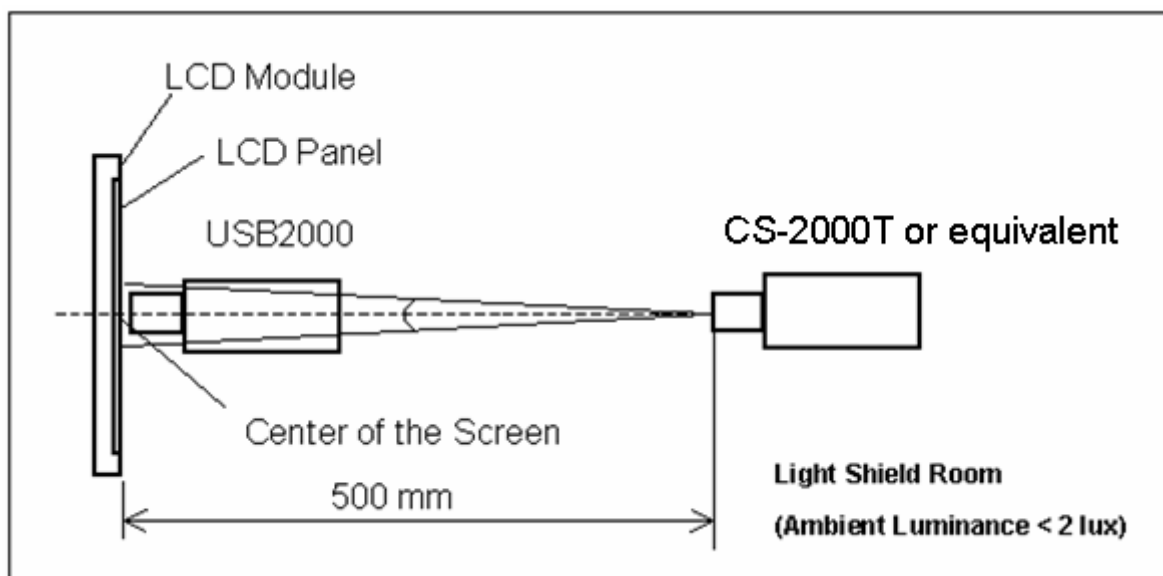
Measure the luminance of gray level 255 at center point

$$L_c = L(5)$$

$L(x)$  is corresponding to the luminance of the point X at Figure in Note (6).

Note (5) Measurement Setup:

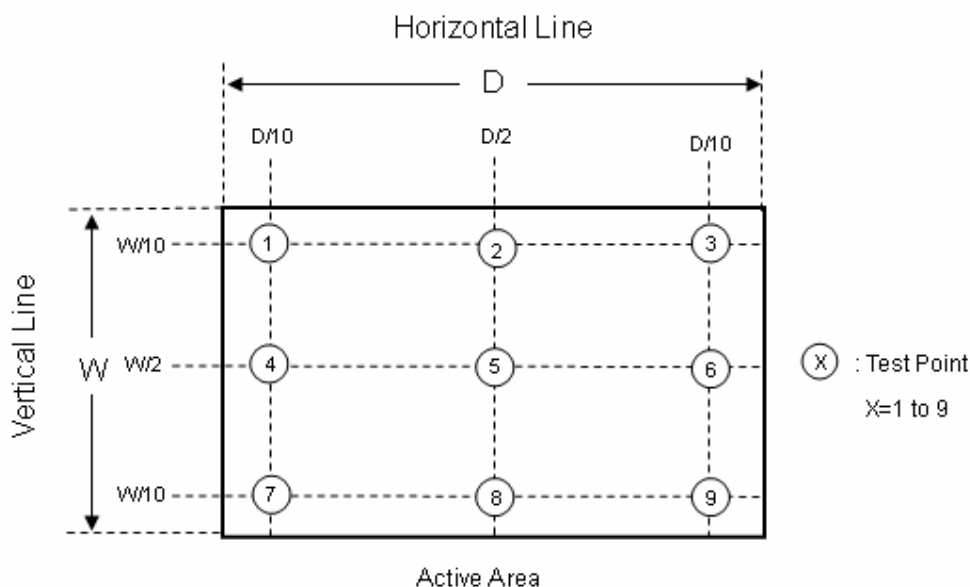
The LCD module should be stabilized at given temperature for 40 minutes to avoid abrupt temperature change during measuring. In order to stabilize the luminance, the measurement should be executed after lighting Backlight for 40 minutes in a windless room.



Note (6) Definition of White Variation ( $\delta W$ ):

Measure the luminance of gray level 255 at 9 points

$$\delta W = (\text{Minimum } [L(1) \sim L(9)] / \text{Maximum } [L(1) \sim L(9)]) * 100\%$$



**6. RELIABILITY TEST ITEM**

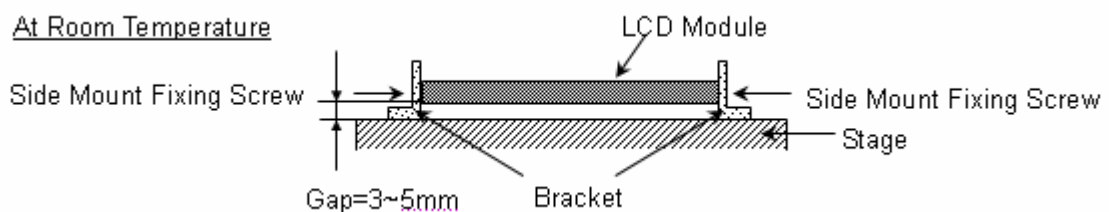
Items	Required Condition	Note
Temperature Humidity Bias (THB)	Ta= 50°C , 80%RH, 240hours	-
High Temperature Operation (HTO)	Ta= 50°C , 50%RH , 240hours	-
Low Temperature Operation (LTO)	Ta= 0°C , 240hours	-
High Temperature Storage (HTS)	Ta= 60°C , 240hours	-
Low Temperature Storage (LTS)	Ta= -20°C , 240hours	-
Vibration Test (Non-operation)	Acceleration: 1.5 Grms Wave: Half-sine Frequency: 10 - 300 Hz Sweep: 30 Minutes each Axis (X, Y, Z)	-
Shock Test (Non-operation)	Acceleration: 50 G Wave: Half-sine Active Time: 11 ms Direction : ± X, ± Y, ± Z.(one time for each Axis)	-
Thermal Shock Test (TST)	-20°C/30min , 60°C / 30min , 100 cycles	-
On/Off Test	25°C ,On/10sec , Off /10sec , 30,000 cycles	-
ESD (Electro Static Discharge)	Contact Discharge: ± 8KV, 150pF(330Ω)	-
	Air Discharge: ± 15KV, 150pF(330Ω)	-
Altitude Test	Operation:10,000 ft / 24hours Non-Operation:30,000 ft / 24hours	-

Note (1) criteria : Normal display image with no obvious non-uniformity and no line defect.

Note (2) Evaluation should be tested after storage at room temperature for more than two hours.

Note (3) At testing Vibration and Shock, the fixture in holding the module has to be hard and rigid enough so that the module would not be twisted or bent by the fixture.

The fixing condition is shown as below:



**7. PACKING**

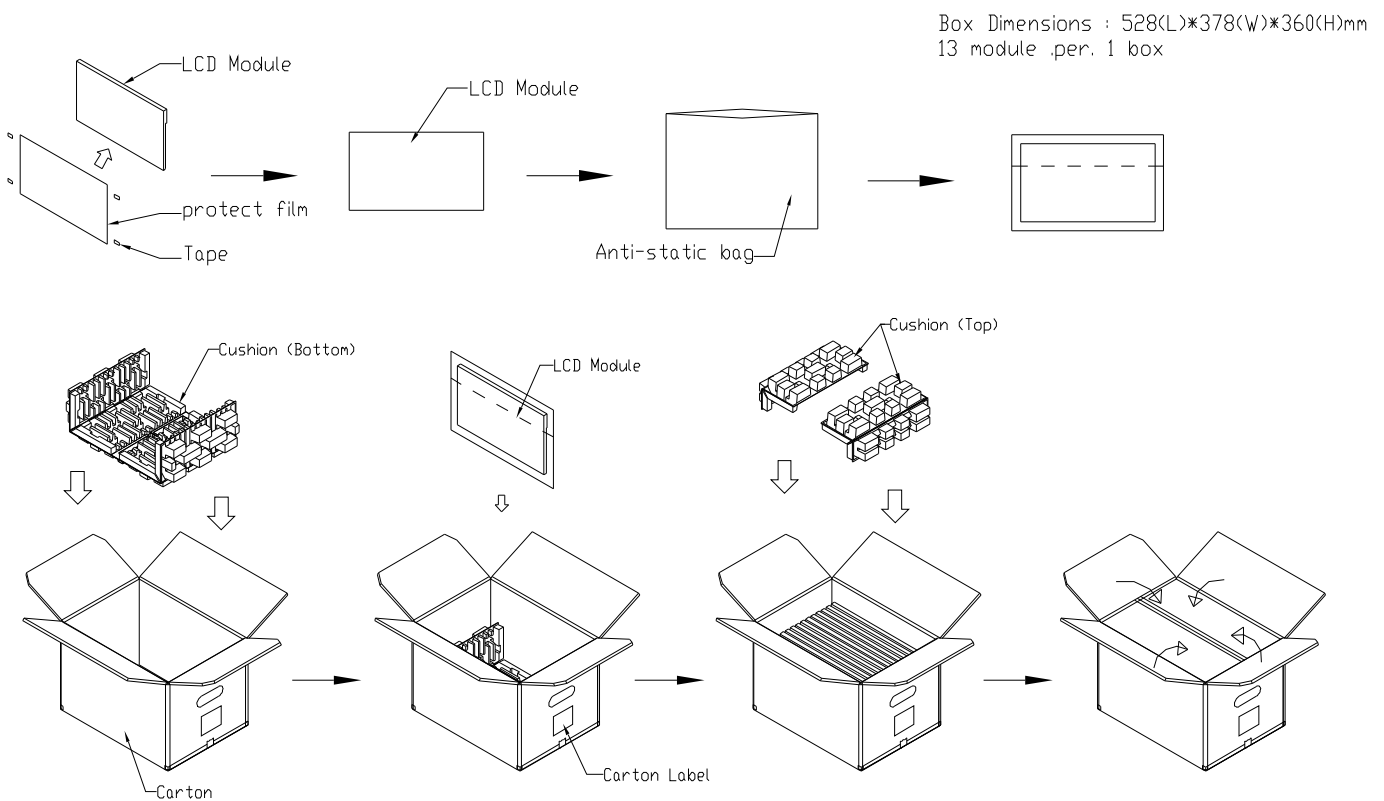
**7.1 PACKING SPECIFICATIONS**

- (1) 13 LCD modules / 1 Box
- (2) Box dimensions: 528(L) X 378(W) X 360(H) mm
- (3) Weight: approximately: 22.5 kg (13 modules per box)

**7.2 PACKING METHOD**

(1) Carton Packing should have no failure in the following reliability test items.

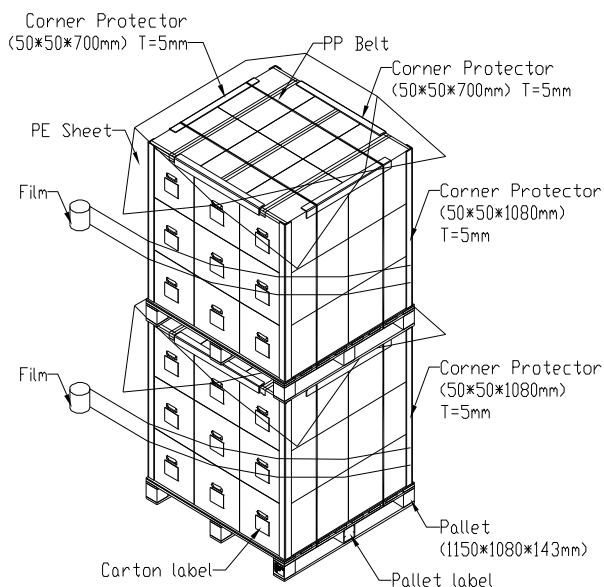
Test Item	Test Conditions	Note
Vibration	ISTA STANDARD Random, Frequency Range: 1 – 200 Hz Top & Bottom: 30 minutes (+Z), 10 min (-Z), Right & Left: 10 minutes (X) Back & Forth 10 minutes (Y)	Non Operation
Dropping Test	1 Corner , 3 Edge, 6 Face, 45.7cm	Non Operation



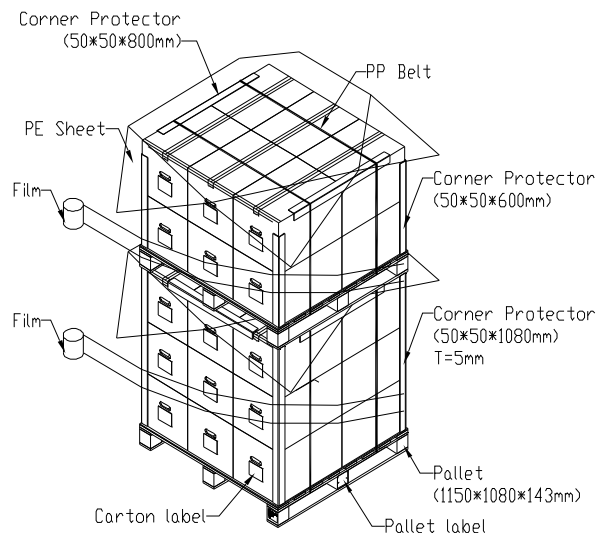
**Figure. 7-1 Packing method**

7.3 PALLET

Sea / Land Transportation  
(40ft HQ Container)



Sea / Land Transportation  
(40ft Container)



Air Transportation

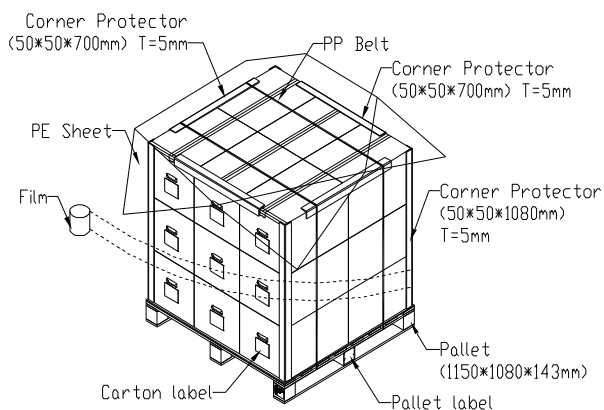


Figure. 7-2 Packing method

## 8. CMI MODULE LABEL

The barcode nameplate is pasted on each module as illustration, and its definitions are as following explanation.



(a) Model Name: M185BGE-L22

(b) Revision: Rev. XX, for example: A0, A1... B1, B2... or C1, C2...etc.

(c) CMI barcode definition:

Serial ID: XX-XX-X-XX-YMD-L-NNNN

Code	Meaning	Description
XX	CMI internal use	-
XX	Revision	Cover all the change
X	CMI internal use	-
XX	CMI internal use	-
YMD	Year, month, day	Year: 0~9, 2001=1, 2002=2, 2003=3...2010=0, 2011=1, 2012=2... Month: 1~12=1, 2, 3, ~, 9, A, B, C Day: 1~31=1, 2, 3, ~, 9, A, B, C, ~, W, X, Y, exclude I, O, and U.
L	Product line #	Line 1=1, Line 2=2, Line 3=3, ...
NNNN	Serial number	Manufacturing sequence of product

(d) Customer's barcode definition:

Serial ID: CM-I5E22-X-X-X-XX-L-XX-L-YMD-NNNN

Code	Meaning	Description
CM	Supplier code	CMI=CM
I5E22	Model number	M185BGE-L22= I5E22
X	Revision code	Non ZBD: 1,2,~,8,9 / ZBD: A~Z
X	Source driver IC code	Century=1, CLL=2, Demos=3, Epson=4, Fujitsu=5, Himax=6, Hitachi=7, Hynix=8, LDI=9, Matsushita=A, NEC=B, Novatec=C, OKI=D, Philips=E, Renesas=F, Samsung=G, Sanyo=H, Sharp=I, TI=J, Topro=K, Toshiba=L, Windbond=M, ILITEK=Q, Fiti=Y, None IC =Z
X	Gate driver IC code	Century=1, CLL=2, Demos=3, Epson=4, Fujitsu=5, Himax=6, Hitachi=7, Hynix=8, LDI=9, Matsushita=A, NEC=B, Novatec=C, OKI=D, Philips=E, Renesas=F, Samsung=G, Sanyo=H, Sharp=I, TI=J, Topro=K, Toshiba=L, Windbond=M, ILITEK=Q, Fiti=Y, None IC =Z
XX	Cell location	Tainan Taiwan=TN, Ningbo China=CN, Hsinchu Taiwan=SC
L	Cell line #	1,2,~,9,A,B,~,Y,Z
XX	Module location	Tainan, Taiwan=TN ; Ningbo China=NP, Shenzhen China=SH
L	Module line #	1,2,~,9,A,B,~,Y,Z
YMD	Year, month, day	Year: 0~9, 2001=1, 2002=2, 2003=3...2010=0, 2011=1, 2012=2... Month: 1~12=1, 2, 3, ~, 9, A, B, C Day: 1~31=1, 2, 3, ~, 9, A, B, C, ~, T, U, V
NNNN	Serial number	By LCD supplier



(e) FAB ID(UL Factory ID):

Region	Factory ID
TWCM1	GEMN
NBCMI	LEOO
NBCME	CANO
NHCM1	CAPG

## 9. PRECAUTIONS

### 9.1 ASSEMBLY AND HANDLING PRECAUTIONS

- (1) Do not apply rough force such as bending or twisting to the module during assembly.
- (2) To assemble or install module into user's system can be only in clean working areas. The dust and oil may cause electrical short or worsen the polarizer.
- (3) It's not permitted to have pressure or impulse on the module because the LCD panel and Backlight will be damaged.
- (4) Always follow the correct power sequence when LCD module is connecting and operating. This can prevent damage to the CMOS LSI chips during latch-up.
- (5) Do not pull the I/F connector in or out while the module is operating.
- (6) Do not disassemble the module.
- (7) Use a soft dry cloth without chemicals for cleaning, because the surface of polarizer is very soft and easily scratched.
- (8) It is dangerous that moisture come into or contacted the LCD module, because moisture may damage LCD module when it is operating.
- (9) High temperature or humidity may reduce the performance of module. Please store LCD module within the specified storage conditions.
- (10) When ambient temperature is lower than 10°C may reduce the display quality. For example, the response time will become slowly.

### 9.2 STORAGE PRECAUTIONS

- (1) Do not leave the module in high temperature, and high humidity for a long time. It is highly recommended to store the module with temperature from 0°C to 35°C and relative humidity of less than 70%.
- (2) Do not store the TFT – LCD module in direct sunlight.
- (3) The module should be stored in dark place. It is prohibited to apply sunlight or fluorescent light in storing.

### 9.3 OPERATION PRECAUTIONS

- (1) The LCD product should be operated under normal condition.

Normal condition is defined as below :

Temperature :  $20\pm 15^{\circ}\text{C}$

Humidity:  $65\pm 20\%$

Display pattern : continually changing pattern(Not stationary)

- (2) If the product will be used in extreme conditions such as high temperature, high humidity, high altitude ,display pattern or operation time etc...It is strongly recommended to contact CMI for application engineering advice . Otherwise , Its reliability and function may not be guaranteed.

#### 9.4 SAFETY PRECAUTIONS

- (1) If the liquid crystal material leaks from the panel, it should be kept away from the eyes or mouth. In case of contact with hands, skin or clothes, it has to be washed away thoroughly with soap.
- (2) After the module's end of life, it is not harmful in case of normal operation and storage.

#### 9.5 SAFETY STANDARDS

The LCD module should be certified with safety regulations as follows:

- (1) UL60950-1 or updated standard.
- (2) IEC60950-1 or updated standard.

#### 9.6 OTHER

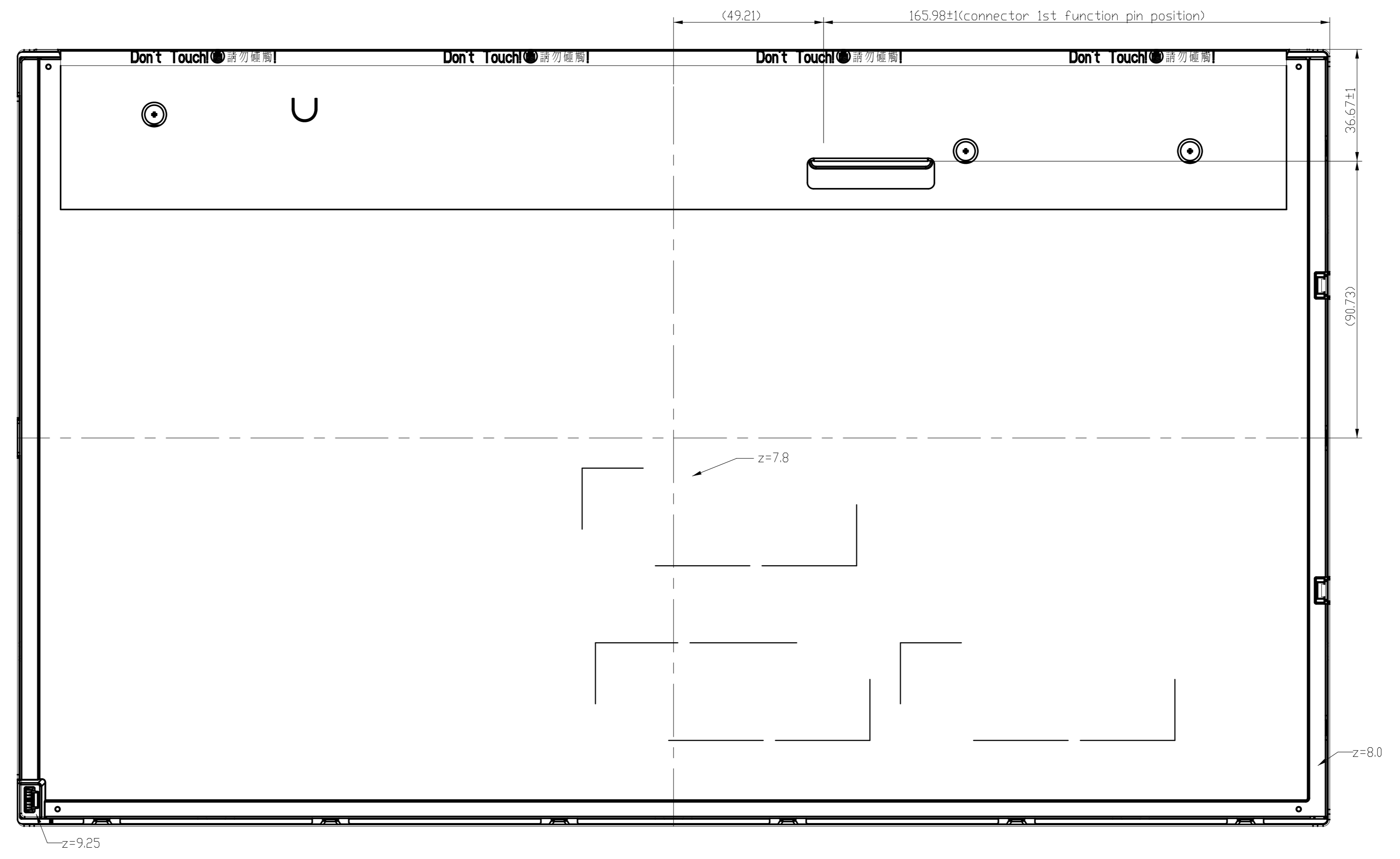
When fixed patterns are displayed for a long time, remnant image is likely to occur.

#### Appendix. OUTLINE DRAWING

Refer to next 2 pages.



REV	DC/EC NUMBER	DESCRIPTION	DATE
▽	XXXXXXXX	XXXXXXXX	xxxx/xx/xx



NOTES:  
 1.outline tolerance:0.5mm  
 2.I/F connector SPEC:FOXCONN (GS23302-0011R-7F)  
 3.lamp connector:CVilux C11406MIHRF-NH  
 4.side mount hole rotational torque must be MAX.5kgf-cm

LEVEL	GENERAL LINEAR TOLERANCE	CRITICAL DIMENSION	SPEC DIMENSION	UNIT	SCALE	3RD ANGLE	REVISION
LEVEL 1	0.1	0.05	0.02	mm	1:1		M185DGC_L22
LEVEL 2	0.1	0.05	0.02				PART NUMBER OR DRAWING NUMBER
LEVEL 3	0.1	0.05	0.02				AM1850003001
LEVEL 4	0.1	0.05	0.02				PART DESCRIPTION
LEVEL 5	0.1	0.05	0.02				module assembly
LEVEL 6	0.1	0.05	0.02				CHIMEI INNOLUX
LEVEL 7	0.1	0.05	0.02				SIZE A1
LEVEL 8	0.1	0.05	0.02				SHEET NUMBER 2of2